

zeta

- Light Boxes**
Light Guide Panels (LGP)
- LED
 - Uniform Light
 - Energy Efficient

Award Winning Technology

www.zetaled.com

ZETA CONTROLS LIMITED

Telford Road BICESTER OX26 4LB, UK
Tel: 01869 322500
Email: sales@zetaled.com
www.zetaled.com

Information Subject to Change



Company Profile



Introduction to Zeta Controls Limited

Zeta Controls is a privately owned British company which was formed in 1989 and operates from facilities in North Oxfordshire. The founding Directors are Philip Shadbolt (Managing Director) and Paul Tyrrell (Technical Director).

The company HQ is based in a wholly owned facility in Bicester. Employing 24 staff the Zeta HQ building houses the Corporate and Management functions as well as staff dedicated to R&D, Design, QA and Test, Production and assembly. In addition there is a warehouse facility (10,000Sq.ft)

LED lighting

Over recent years Zeta has expanded its capabilities into LED and solar powered lighting products. LEDs have become increasingly more efficient and offer the benefit of longer life expectancy over other forms of lighting. Zeta now develops custom lighting solutions to suit many different user applications from lighting fixtures, light box design and complete solar powered lighting solutions. You can be sure that Zeta are the right choice when it comes to choosing your partner for LED lighting solutions.



Awards

- Oxfordshire Business of the year 1995
- DTI SMART award to develop solar powered LED Lighting Solutions
- 5 other DTI SMART awards for innovative research & technology
- DTI achievement award to the UK Company that achieved the best growth after receiving a DTI

You don't get great by winning awards
You win awards from being the best in your field.

Quality

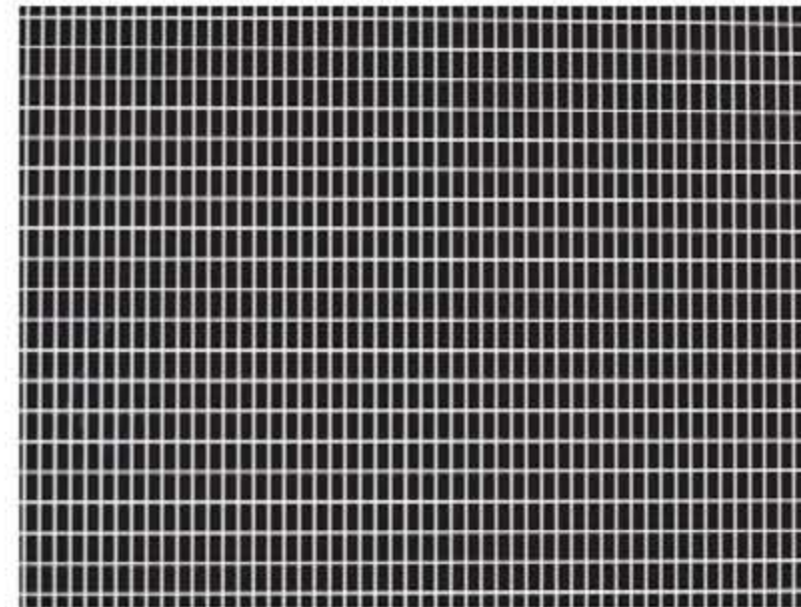
- BS5750 accredited in 1997
- ISO 9001 accredited in 1999
- BS EN ISO 9001:2000 accredited since 2003
- In-house environmental and EMC testing facility to ensure full product compliance

Production capability & flexibility

- Large storage facilities
- Extensive component sourcing capability
- Outsourcing of PCB assembly
- 100% unit test prior to despatch
- Experienced in sub-contract assembly management



3D V-Groove LGP



- Latest Technology (Patent Pending);
- Super Slim - maximum size 2000mm*3000mm;
- LED lighting up to 50,000 hours life;
- Highly Efficient;
- CE Certified;
- Applications: lighting, signage, interior design, shop display fittings.

Advanced Manufacturing



Precision engraving, diamond polisher and 3D V-Groove machine
Lighting output will reduce by 50% after 50,000 hours

3D V-Groove LGP

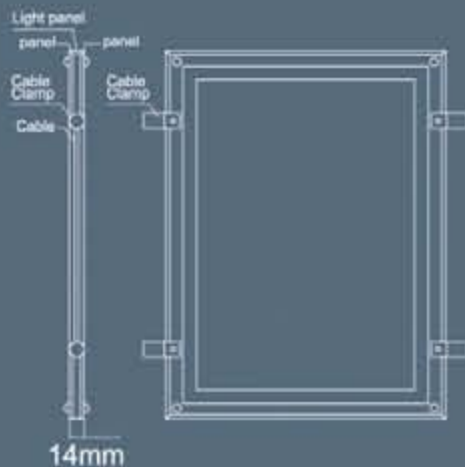


LK-AD



Part

Frame structure



LK-AD

- Double sided clear frame;
- LED source typically 50,000 hours to 50% output;
- Optical design offers an even illumination;
- Easy image swapping;
- Application: Hotel, bar, fast food restaurant, chain store, interior design, and exhibitions.

Please order mounting kit separately (see page 13/14)

LK-AD Specification

Part Number	Body size L×W×T(mm)	Image size mm	Visual size mm	Weight (kg)	Lighting	Power supply
LK-S7-AD	630×830×14	520×720	500×700	10.0	LED 27W	AC 110-230V 50HZ/60Hz
LK-B1-AD	600×830×14	490×720	470×700	9.0	LED 27W	AC 110-230V 50HZ/60Hz
LK-A2-AD	540×710×14	440×614	420×594	7.0	LED 22W	AC 110-230V 50HZ/60Hz
LK-B2-AD	450×590×14	350×490	330×470	5.5	LED 20W	AC 110-230V 50HZ/60Hz
LK-A3-AD	395×515×12	317×440	297×420	5.0	LED 10W CCFL 10W	AC 110-230V 50HZ/60Hz
LK-A4-AD	300×385×12	230×317	210×297	2.0	LED 5W CCFL 8W	AC 110-230V 50HZ/60Hz



LK-A

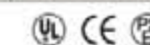


LK-A

- Single sided Clear Frame;
- LED source typically 50,000 hours to 50% output;
- Optical design offers an even illumination;
- Easy image swapping, and suitable for wall & desk mounting;
- Application: Hotel, bar, fast food restaurant, chain store, interior design, show case and exhibition.

LK-A Specification

Part Number	Body size L×W×T(mm)	Image size mm	Visual size mm	Weight (kg)	Lighting	Power supply
LK-71-A	840×1140×11	720×1020	700×1000	12.0	LED 26W CCFL 36W	AC 110-230V 50HZ/60Hz
LK-A1-A	740×970×11	614×861	594×841	10.0	LED 22W CCFL 35W	AC 110-230V 50HZ/60Hz
LK-S7-A	630×830×9	520×720	500×700	8.0	LED 12W CCFL 24W	AC 110-230V 50HZ/60Hz
LK-B1-A	600×830×9	490×720	470×700	7.8	LED 12W CCFL 24W	AC 110-230V 50HZ/60Hz
LK-A2-A	540×710×9	440×614	420×594	6.0	LED 8W CCFL 20W	AC 110-230V 50HZ/60Hz
LK-B2-A	450×590×8	350×490	330×470	5.2	LED 7W CCFL 12W	AC 110-230V 50HZ/60Hz
LK-A3-A	395×515×8	317×440	297×420	5.0	LED 4W CCFL 10W	AC 110-230V 50HZ/60Hz
LK-A4-A	300×385×8	230×317	210×297	2.0	LED 3W CCFL 8W	AC 110-230V 50HZ/60Hz
LK-B4-A	275×328×8	212×265	198×250	1.3	LED 3W CCFL 6W	AC 110-230V 50HZ/60Hz
LK-B6-A	190×238×8	140×190	125×175	0.8	LED 3W CCFL 6W	AC 110-230V 50HZ/60Hz



Side view

Fast picture swap ability (LK-AD)

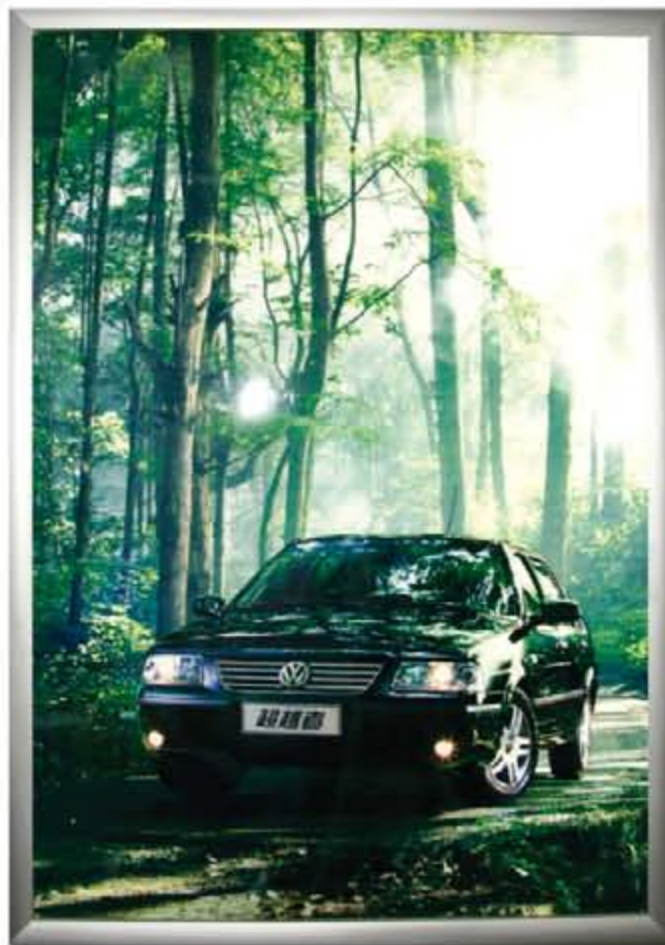


a Finger groove

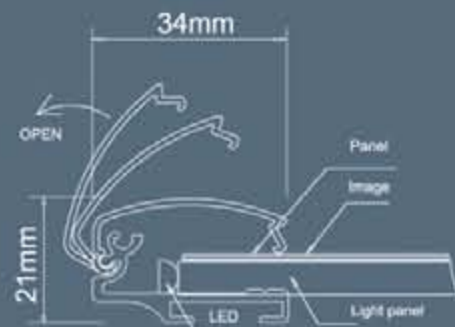


b Magnet strip fastenings

LK-L2



Frame structure

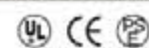


LK-L2

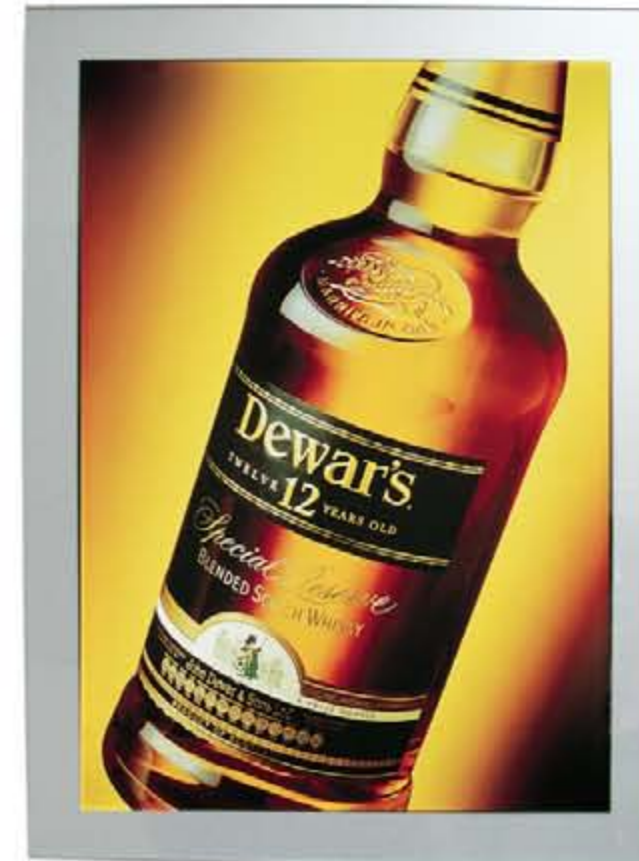
- Super Slim Thickness - 21mm;
- Aluminum frame;
- Easy image swapping;
- LED light source typically 50,000 hours to 50% output;
- Application: Business centre, supermarket, bar, bank, hotel, exhibitions.

LK-L2 Specification

Part Number	Body size L*W*T(mm)	Image size mm	Visual size mm	Weight (kg)	Lighting	Power supply
LK-71-L2	768*1068*21	726*1026	700*1000	12.0	LED 22W	AC 110-230V 50HZ/60Hz
LK-A1-L2	662*909*21	620*867	594*841	10.0	LED 22W	AC 110-230V 50HZ/60Hz
LK-67-L2	588*768*21	528*726	500*700	8.0	LED 12W	AC 110-230V 50HZ/60Hz
LK-B1-L2	536*768*21	496*726	470*700	7.0	LED 11W	AC 110-230V 50HZ/60Hz
LK-A2-L2	488*662*21	446*620	420*594	5.0	LED 8W	AC 110-230V 50HZ/60Hz
LK-B2-L2	398*538*21	356*496	330*470	3.0	LED 7W	AC 110-230V 50HZ/60Hz
LK-A3-L2	365*488*21	323*446	297*420	2.5	LED 5W	AC 110-230V 50HZ/60Hz



LK-MST



Frame

Frame structure



LK-MST

- Super slim thickness-29mm;
- Magnetic front panel;
- Easy image swapping;
- Aluminum frame;
- Application: Business centre, supermarket, bar, bank, exhibitions.

LK-MST Specification

Part Number	Body size L*W*T(mm)	Image size mm	Visual size mm	Weight (kg)	Lighting	Power supply
LK-A0-MST	928*1274*29	882*1210	841*1189	14.0	T5 28W*2	AC 110-230V 50HZ/60Hz
LK-71-MST	785*1085*29	721*1021	700*1000	12.0	CCFL 36W T4 28W*2	AC 110-230V 50HZ/60Hz
LK-A1-MST	679*926*29	615*862	594*841	8.0	CCFL 32W T5 21W*2	AC 110-230V 50HZ/60Hz
LK-67-MST	585*785*29	521*721	500*700	6.5	CCFL 20W T4 22W*2	AC 110-230V 50HZ/60Hz
LK-B1-MST	555*785*29	491*721	470*700	5.5	CCFL 20W T4 22W*2	AC 110-230V 50HZ/60Hz
LK-A2-MST	505*679*29	441*615	420*594	5.0	CCFL 18W T4 12W*2	AC 110-230V 50HZ/60Hz



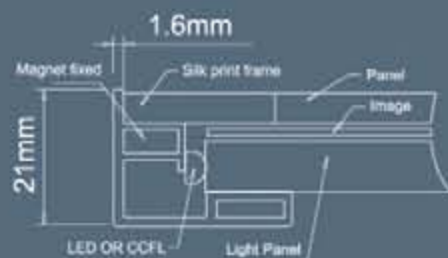
LK-MST

LK-MSL LK-MDL



Part

Frame structure



LK-MSL



LK-MDL



Magnetic Front Panel



LK-MSL(LK-MDL)

- Super slim thickness 21mm, doubled sided 31mm;
- The front panel is clipped in magnetically, easy image swapping;
- Easy installation;
- Aluminum frame;
- LED source typically 50,000 hours to 50% output;
- Application: Business centre, supermarket, bar, bank, hotel, exhibitions.

LK-MSL(LK-MDL) Specification

Part Number	Body size L×W×T(mm)	Image size mm	Visual size mm	Weight (kg)	Lighting	Power supply
LK-A0-MSL	904×1252×21	861×1210	841×1189	14.0	LED 45W	AC 110-230V 50HZ/60Hz
LK-71-MSL LK-71-MDL	763×1063×21 763×1063×31	720×1020	700×1000	12.0 (D) 16.0	LED 26W	AC 110-230V 50HZ/60Hz
LK-A1-MSL LK-A1-MDL	657×904×21 657×904×31	614×861	594×841	8.0 (D) 10.0	LED 22W	AC 110-230V 50HZ/60Hz
LK-57-MSL LK-57-MDL	563×763×21 563×763×31	520×720	500×700	6.0 (D) 8.0	LED 12W	AC 110-230V 50HZ/60Hz
LK-B1-MSL LK-B1-MDL	533×763×21 533×763×31	490×720	470×700	5.5 (D) 7.5	LED 12W (D) LED 27W	AC 110-230V 50HZ/60Hz
LK-A2-MSL LK-A2-MDL	483×657×21 483×657×31	440×614	420×594	5.0 (D) 8.0	LED 8W (D) LED 23W	AC 110-230V 50HZ/60Hz
LK-B2-MSL LK-B2-MDL	383×533×21 383×533×31	350×490	330×470	4.0 (D) 5.0	CCFL 10W LED 7W	AC 110-230V 50HZ/60Hz
LK-A3-MSL LK-A3-MDL	350×483×21 350×483×31	317×440	297×420	3.0 (D) 4.0	CCFL 10W LED 4W	AC 110-230V 50HZ/60Hz



LK-L

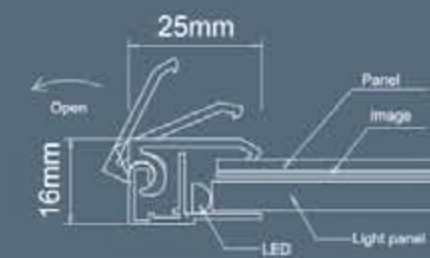


Frame 1

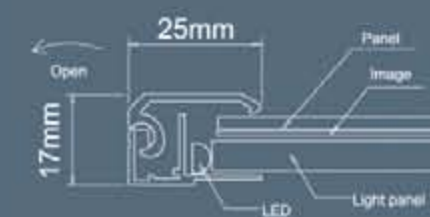


Frame 2

Frame structure



LK-L "A" TYPE



LK-L "B" TYPE

LK-L

- Super slim, thickness 16mm;
- Aluminum frame;
- Easy image swapping;
- LED source typically 50,000 hours to 50% output;
- Application: Business centre, supermarket, bar, bank, hotel, exhibitions.

LK-L Specification

Part Number	Body size L×W×T(mm)	Image size mm	Visual size mm	Weight (kg)	Lighting	Power supply
LK-71-L	750×1050×16	720×1020	700×1000	12.0	LED 26W	AC 110-230V 50HZ/60Hz
LK-A1-L	644×891×16	614×861	594×841	8.0	LED 22W	AC 110-230V 50HZ/60Hz
LK-57-L	550×750×16	520×720	500×700	6.0	LED 12W	AC 110-230V 50HZ/60Hz
LK-B1-L	520×750×16	490×720	470×700	5.5	LED 11W	AC 110-230V 50HZ/60Hz
LK-A2-L	470×644×16	440×614	420×594	5.0	LED 8W	AC 110-230V 50HZ/60Hz
LK-B2-L	360×520×16	350×490	330×470	4.0	LED 7W	AC 110-230V 50HZ/60Hz
LK-A3-L	348×470×16	317×440	298×420	3.0	LED 4W	AC 110-230V 50HZ/60Hz

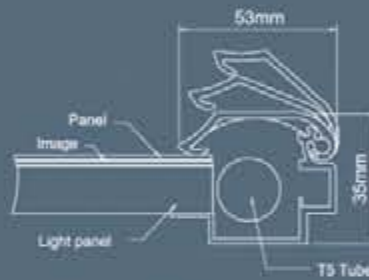


LK-T LK-DT

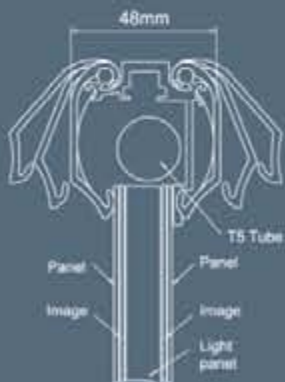


Part

Frame structure



LK-T



LK-DT

zeta



LK-T (LK-DT)

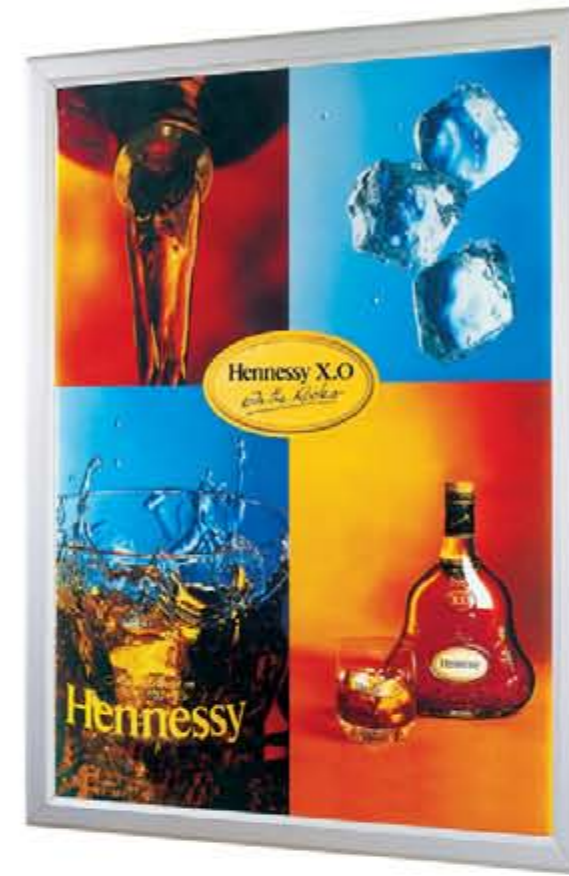
- Super slim, thickness: single 3.5cm, double sided 4.8cm;
- Aluminum frame;
- Clip frame allowing easy image swapping;
- Application: Business centre, supermarket, bar, bank, hotel, exhibition.

LK-T(LK-DT) Specification

Part Number	Body size L×W×T(mm)	Image size mm	Visual size mm	Weight (kg)	Lighting	Power supply
LK-AA-T	1094×1534×35	1010×1450	968×1428	25.0 (35.0)	T5 28W×2 (D) T5 80W×2	AC 110-230V 50HZ/60Hz
LK-AA-DT	1094×1534×48					
LK-A0-T	947×1295×35	880×1018	841×1189	14.0 (19.0)	T5 28W×2 (D) T5 54W×2	AC 110-230V 50HZ/60Hz
LK-A0-DT	947×1295×48					
LK-71-T	806×1106×35	722×1022	700×1000	12.0 (15.0)	T5 26W×2	AC 110-230V 50HZ/60Hz
LK-71-DT	806×1106×48					



zeta



LK-T-S(LK-DT-S)

- Super slim, thickness: single 3.3cm, double sided 3.7cm;
- Aluminum frame;
- Clip frame allowing easy image swapping;
- Application: Business centre, supermarket, bar, bank, hotel, exhibition.

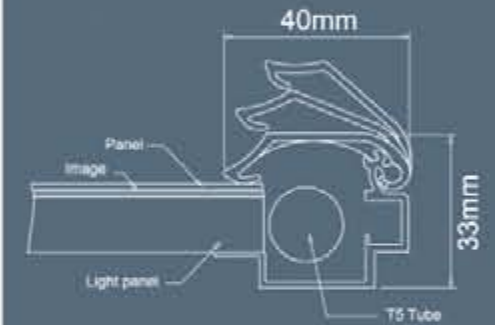
LK-T-S(LK-DT-S) Specification

Part Number	Body size L×W×T(mm)	Image size mm	Visual size mm	Weight (kg)	Lighting	Power supply
LK-71-T-S	780×1080×33	718×1016	700×1000	7.5 (12.0)	T5 26W×2	AC 110-230V 50HZ/60Hz
LK-A1-T-S	674×921×33	612×859	594×841	7.5 (12.0)	T5 21W×2	AC 110-230V 50HZ/60Hz
LK-A1-DT-S	674×921×37					
LK-57-T-S	580×780×33	518×718	500×700	7.0 (10.0)	T4 22W×2	AC 110-230V 50HZ/60Hz
LK-57-DT-S	580×780×37					
LK-A2-T-S	482×612×33	420×550	402×532	5.5 (7.0)	T4 12W×2	AC 110-230V 50HZ/60Hz
LK-A2-DT-S	482×612×37					

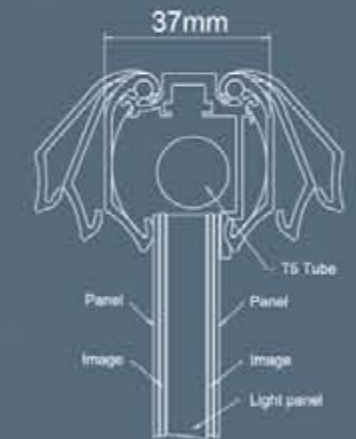


LK-T-S LK-DT-S

Frame structure



LK-T-S



LK-DT-S

LK-AE



Side view

LK-AE

- LED illumination, Power saving and long life;
- Optical design offers an even illumination;
- Desk or wall mounted; Easy image swapping;
- Application: Hotel, bar, fast food restaurant, chain store, exhibitions.

LK-AE Specification

Part Number	Body size L*W*H(mm)	Image size mm	Visual size mm	Weight (kg)	Lighting	Power supply
LK-71-AE	800*1100*11	720*1020	700*1000	12.0	LED 26W CCFL 36W	AC 110-230V 50HZ/60Hz
LK-A1-AE	894*941*11	814*861	594*841	10.0	LED 22W CCFL 35W	AC 110-230V 50HZ/60Hz
LK-57-AE	800*800*9	520*720	500*700	8.0	LED 12W CCFL 24W	AC 110-230V 50HZ/60Hz
LK-B1-AE	570*800*9	490*720	470*700	7.5	LED 11W CCFL 24W	AC 110-230V 50HZ/60Hz
LK-A2-AE	520*694*9	440*614	420*594	6.0	LED 8W CCFL 20W	AC 110-230V 50HZ/60Hz
LK-B2-AE	412*552*8	350*490	330*470	5.2	LED 7W CCFL 12W	AC 110-230V 50HZ/60Hz
LK-A3-AE	379*502*8	317*440	297*420	5.0	LED 5W CCFL 10W	AC 110-230V 50HZ/60Hz
LK-A4-AE	292*379*8	230*317	210*297	2.0	LED 5W CCFL 8W	AC 110-230V 50HZ/60Hz
LK-B4-AE	275*328*8	212*265	196*250	1.3	LED 5W CCFL 6W	AC 110-230V 50HZ/60Hz
LK-B5-AE	190*236*8	140*190	125*175	0.8	LED 5W CCFL 6W	AC 110-230V 50HZ/60Hz

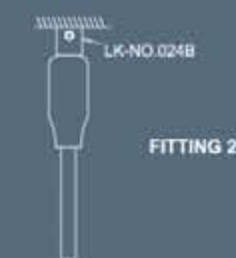
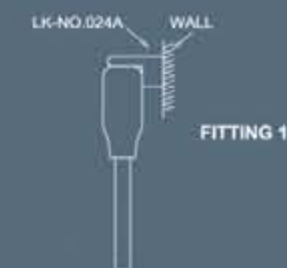


LK-K



LK-K Features

- Super thin, outer case, only 18mm;
- Super bright, highly efficient LED illumination;
- Durable: Long life LED - 50,000 working hours;
- Energy Efficient, saving 60-80% over a filament light;
- Convenient fixing options;
- Custom sizes available.



Ceiling Suspension

Options



KIT-01 (load 3.0kg)
use Ø 3.0mm cable

KIT-02 (load 3.5kg)
use Ø 5.0mm ALU wire



KIT-03 (load 3.5kg)
use Ø 3.0mm cable

KIT-04 (load 3.5kg)
use Ø 3.0mm cable



KIT-05 (load 5.5kg)
use Ø 3.0mm cable

KIT-06 (load 7.0kg)
use Ø 3.0mm steel wire



KIT-CF1 (load 5.0kg)
use Ø 3.0mm cable

 zeta



Application 1
LK-A
LK-AD



Application 1-B
LK-A
LK-AD



LK-030



LK-011

 zeta

Wall Mounting



Application 2
LK-A
LK-AD



Application 2-B
LK-MSL
LK-MSD



LK-012(CVS)



LK-012(CSS)



KIT-08(50mm)

Combined Shelving And Wall Mounting

zeta



KIT-11B



KIT-11A

KIT-08(50mm)



LK-012(CVS)

KIT-11C

custom sizes available



zeta



LK-012(CVS)



LK-012(CHS)

Combined Shelving And Wall Mounting



CF-13A



CF-13B



CF12-C



CF3-A



CF3-B

Shop Window Advertising



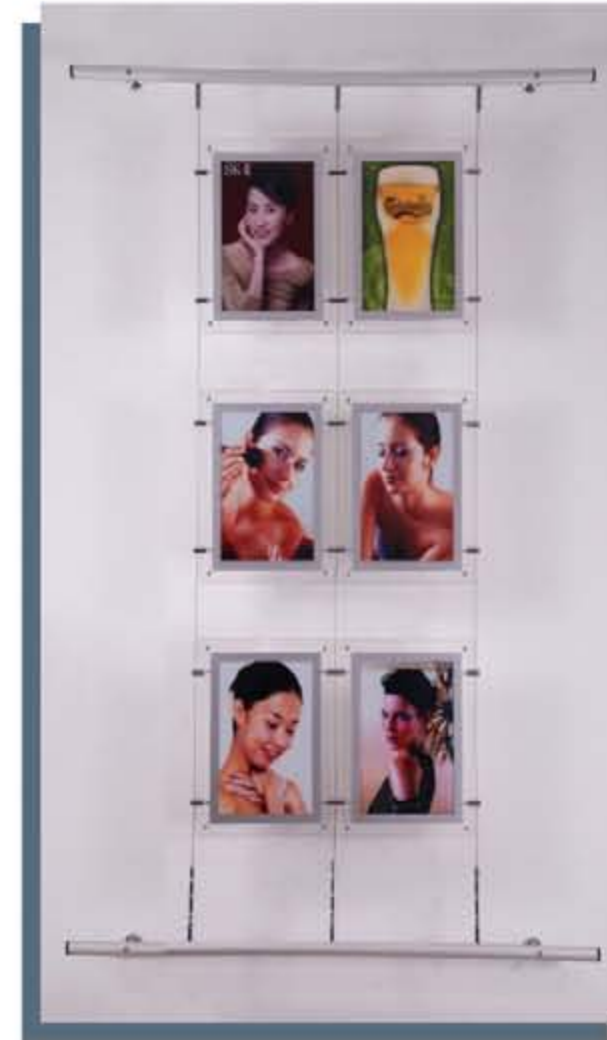
CF-16A



CF-16B



LK-012(CVS)



Estate Agent Option



Custom Sizes Available

Rail Mounting



LK-034



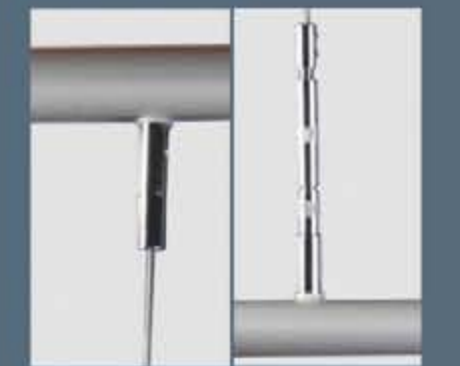
LK-015(CVD)



LK-012(CVS)



KIT-016(83mm)



KIT-025

Free Standing



CF11 A

CF11 B



CF10C



LK-012(CHS)

LK-013B



LK-012(CVS)

LK-015(CVD)



Free Standing



LK-015(CVD)

LK-012(CVS)

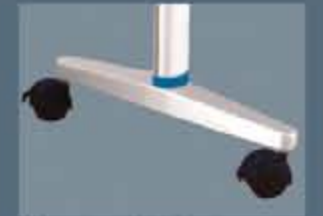


CF6-A

CF6-B



Chrome Foot Application7



Wheels with Brake Application7

*Free Standing
Exhibition Panel
With Brochure
Mount*

zeta



+LK-L2



+LK-A(AE)



+LK-MSL

zeta



LGP-ApplicationA



LGP-ApplicationB



LGP-ApplicationC

*Point Of Sale
Shelving*



LGP-ApplicationA



CF10-A



CF10-B



CF10-C

LK-A-YJ

Super Slim Light Box With Multiple Images

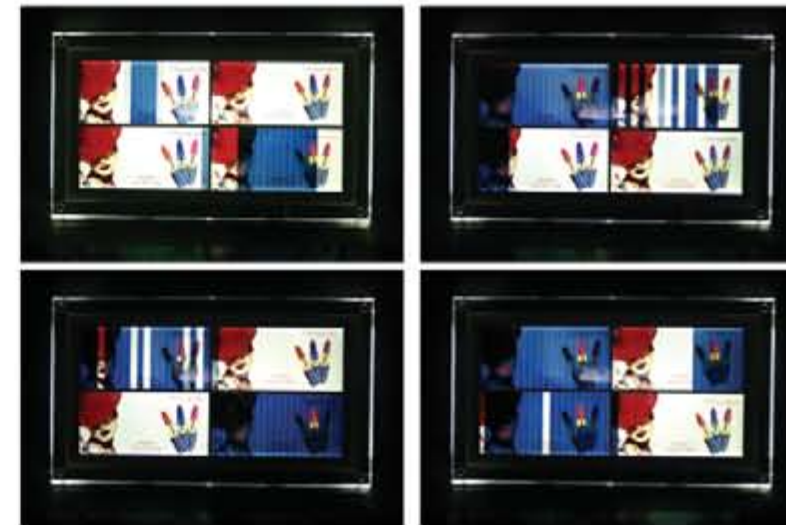


LK-A-YJ

- Super slim light box with LCD backlight polariser offering the ability to switch between images;
- Up to 10 different sections of the image can be changed on a single panel;
- Long Life;
- Microprocessor controlled and programmed to suit your preferred image pattern;
- Patented technology.

LK-B-Y14

Super Slim Light Box With Multiple Images



LK-B-Y14 Specification

Part Number	Body size L×W×T(mm)	Image size mm	Visual size mm	Lighting	Power supply
LK-A-YJ	430×330×30	346×238	326×218	CCFL 5W	AC 110-230V
LK-A-YJ2	430×510×30	480×346	465×326	CCFL 10W	AC 110-230V
LK-A-YJ4	812×695×30	695×480	685×465	CCFL 15W	AC 110-230V
LK-B-YJ	430×250×30	365×180	346×162	CCFL 5W	AC 110-230V
LK-B-YJ2	430×430×30	360×345	345×330	CCFL 10W	AC 110-230V
LK-B-YJ4	850×490×30	718×360	705×330	CCFL 15W	AC 110-230V

Note: each polariser is designed to suit your image

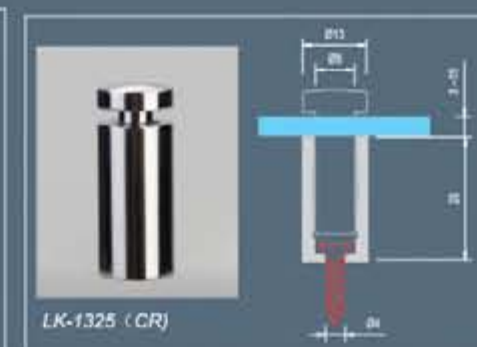
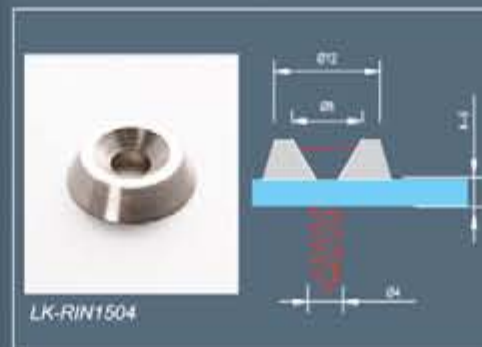
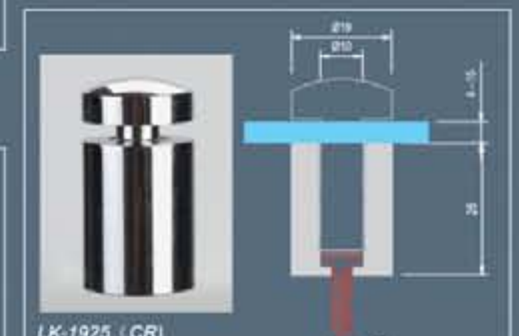
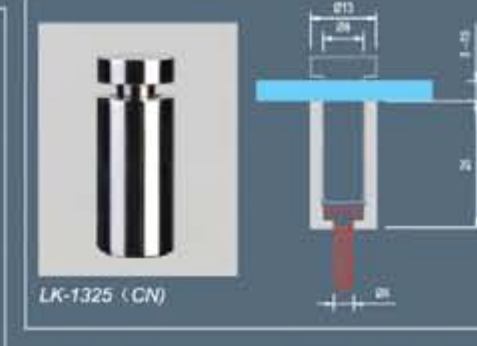
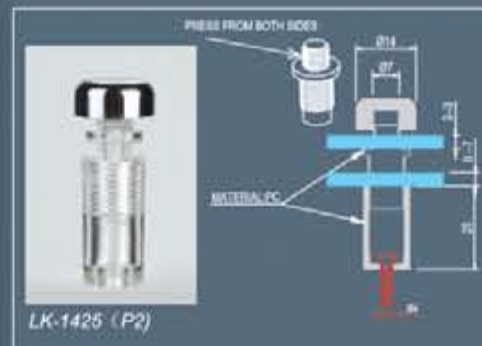
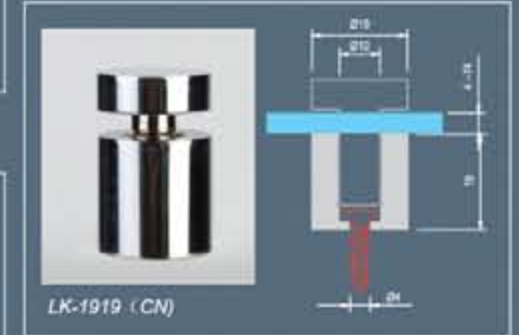
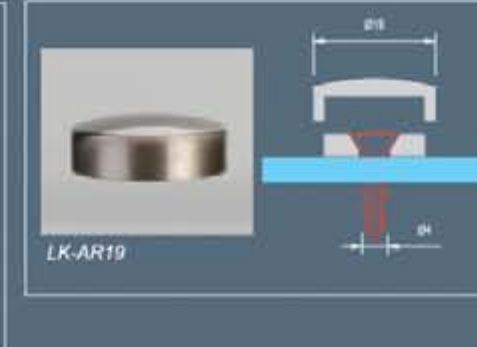
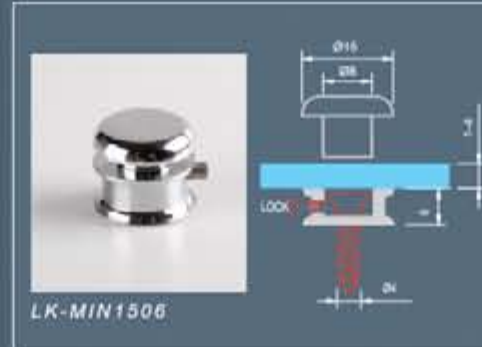
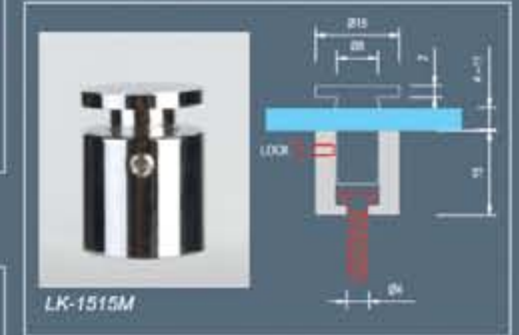
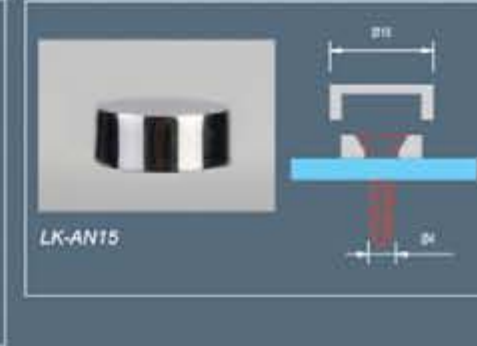
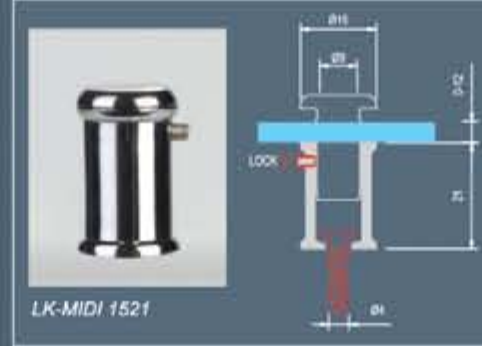


Accessories

Cable Shelf System



Fitting Options



SG (Satin Gold)

BG (Gold)

SC (Satin Chrome)

CP (Chrome)