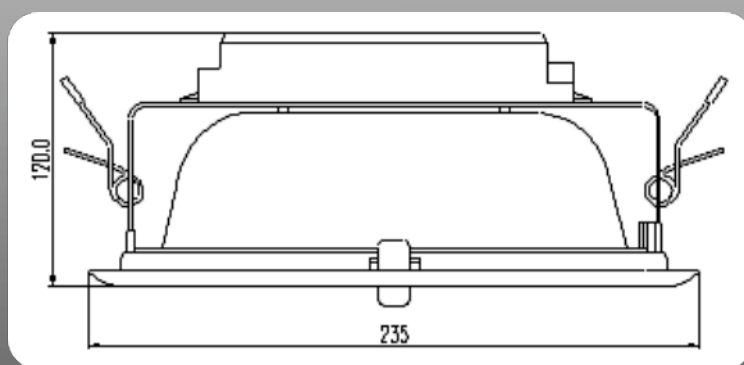


Power	<b>10W</b>
Input Voltage	AC220V
Power Frequency	50Hz ~ 60Hz
Input power	11.8w
Lumens	600-700Lm
Viewing Angle	130°
CCT Pure white	5000K ~ 6500K
CCT Warm White	2700K ~ 38600K
Power Factor	>90%
Efficiency Indication	>85%
Lifetime	30,000 Hours
Dimintions	L235mm x W235mm x H120mm
Gross Weight	824g
Ceiling opening size	200mm*200mm
Protection rating	IP44 (indoor)

## Dimensions



522



## Energy Efficient LED Lighting Solutions

### The ZETA hallway Light

- 10W Power Consumption to replace fluorescent tubing, Mr16, GU10 or 2D fittings.
- Available in Cool and Warm White
- Low Power Replacement solution



The Zeta LED hallway light is a replacement for traditional energy intensive lighting solutions. Zeta offer a range of sizes, colours and styles to suit all personal preferences and requirements. An Energy saving fitting that reduces consumption, carbon and electricity bills.

### Features

- 35,000+ Hour Lifetime
- LED Energy Saving Replacement
- Healthy and Environmental – No Mercury or UV

### Advantages:

- Reduction In energy consumption
- LED maintenance free for 8 years
- ECA and Salix funding opportunities.

### Performance

- 130° Beam Angle
- Low Wattage,
- 30, 000 hour minimal degradation